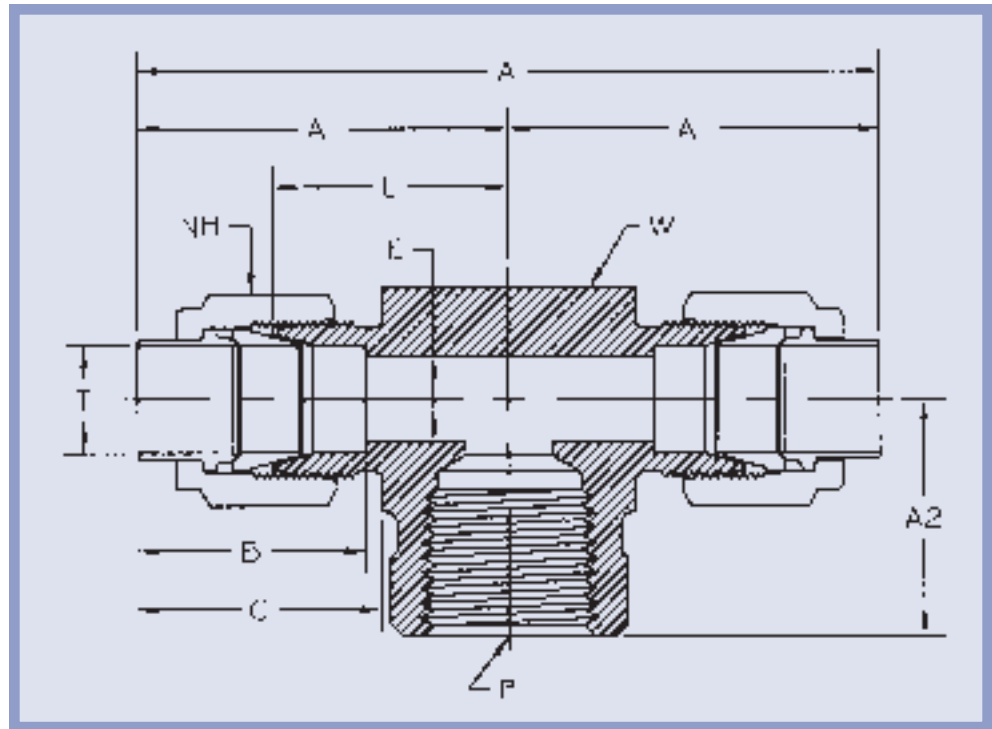




FEMALE BRANCH TEE



PART NUMBER	T TUBE O.D.	P PIPE END NPT	A	A1	A2	B	C	E THRU HOLE	L	NH NUT HEX	W WRENCH FLAT
1-3TTF-1	1/16	1/16	1.781	.890	.562	.609	.670	.052	.562	3/8	1/2
2-3TTF-2	1/8	1/8	2.156	1.078	.750	.640	.765	.094	.687	7/16	19/32
2-3TTF-4	1/8	1/4	2.531	1.265	.844	.640	.765	.094	.875	7/16	3/4
3-3TTF-2	3/16	1/8	2.343	1.172	.750	.703	.796	.125	.750	1/2	19/32
4-3TTF-2	1/4	1/8	2.468	1.234	.750	.796	.906	.187	.750	9/16	19/32
4-3TTF-4	1/4	1/4	2.718	1.359	.844	.796	.906	.187	.875	9/16	13/16
4-3TTF-6	1/4	3/8	2.843	1.421	1.000	.796	.906	.187	.937	9/16	3/4
4-3TTF-8	1/4	1/2	2.968	1.484	.875	.796	.906	.187	1.000	9/16	1-1/16
5-3TTF-2	5/16	1/8	2.468	1.234	.750	.796	.906	.250	.781	5/8	19/32
5-3TTF-4	5/16	1/4	2.781	1.390	.844	.796	.906	.250	.937	5/8	19/32
6-3TTF-4	3/8	1/4	3.031	1.515	.844	.937	1.015	.281	.953	11/16	13/16
6-3TTF-6	3/8	3/8	3.000	1.500	1.000	.937	1.015	.281	.937	11/16	13/16
8-3TTF-4	1/2	1/4	3.218	1.609	.844	1.140	1.140	.406	.969	7/8	13/16
8-3TTF-6	1/2	3/8	3.343	1.671	1.031	1.140	1.140	.406	1.031	7/8	1
8-3TTF-8	1/2	1/2	3.593	1.796	1.312	1.140	1.140	.406	1.156	7/8	1
10-3TTF-6	5/8	3/8	3.343	1.672	1.031	1.203	1.217	.500	1.031	1	1
10-3TTF-8	5/8	1/2	3.625	1.812	1.187	1.203	1.217	.500	1.172	1	1
12-3TTF-6	3/4	3/8	4.000	2.000	1.187	1.250	1.343	.562	1.317	1-1/4	1
12-3TTF-12	3/4	3/4	4.188	2.094	1.250	1.250	1.343	.625	1.406	1-1/4	1-3/8
14-3TTF-12	7/8	3/4	4.468	2.234	1.250	1.453	1.484	.718	1.406	1-3/8	1-3/8
16-3TTF-6	1	3/8	4.281	2.140	1.375	1.515	1.484	.562	1.312	1-1/2	1-3/8
16-3TTF-8	1	1/2	4.406	2.203	1.375	1.515	1.484	.687	1.371	1-1/2	1-3/8
16-3TTF-12	1	3/4	4.468	2.234	1.250	1.515	1.484	.875	1.406	1-1/2	1-3/8
16-3TTF-16	1	1	5.156	2.578	1.750	1.515	1.484	.875	1.750	1-1/2	1-5/8

*NOTE: All dimensions subject to change, to be used for reference only.

*Both tube ends are typical.